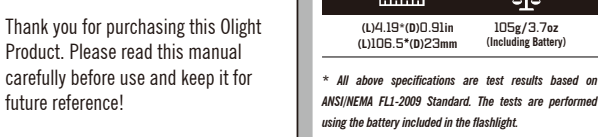
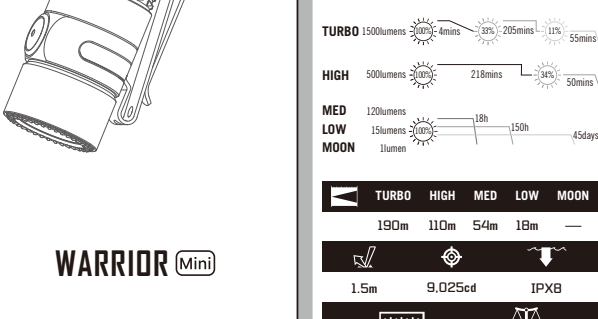
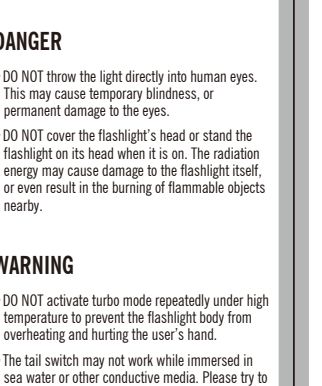
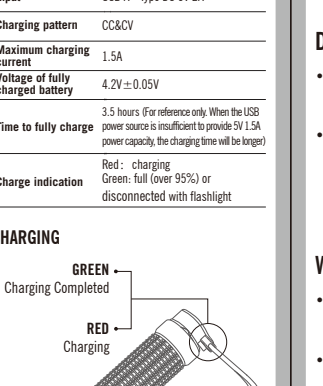
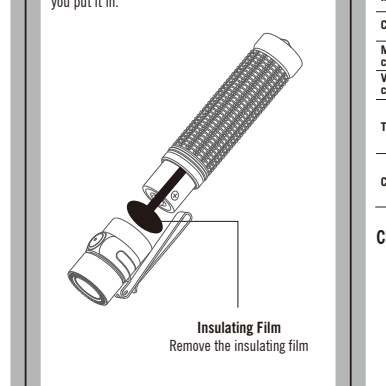
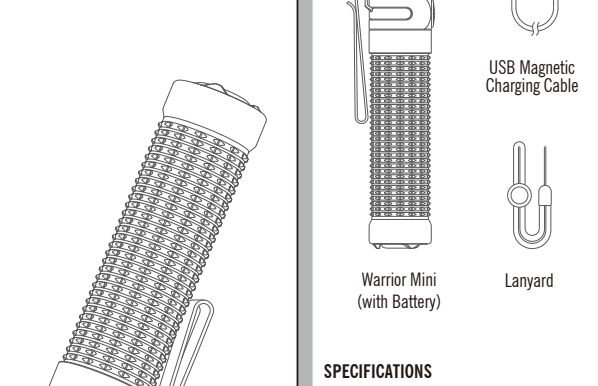


# OOLIGHT USER MANUAL



Thank you for purchasing this Olight Product. Please read this manual carefully before use and keep it for future reference!

**Taskulampun toiminta vaihtuu sen mukaan painetun lampun peräkytkintä kevyesti vaihtaen. Tutustu alle oleviin toimintoihin.**  
**KAKSI ERISY TOIMINTOIN**  
**TOIMINTALAJI 1 (TIEDOSASETUS):** Aktiivi Toimintalajilla painamalla kytkintä kevyesti tai aktiivi Turbo painamalla kyt.

**KÄYTTÄ VÄLÄHTÄMÄN TAVOITUKSIA KÄYTTÄEN**  
**TOIMINTALAJI 2:** Aktiivi Turbo painamalla kytkintä kevyesti tai aktiivi Strobo-vilkun painamalla kyt. Sammuta valo vapauttamalla kytkintä.

**VAHITAMINEN TOIMINTALAJI TOISEN VÄLÄHTÄMÄN TAVOITUKSIA KÄYTTÄEN**  
Tämä toimintalaji tarkoitetaan painamalla kytkintä kevyesti tai aktiivisesti suorittamaan toimintaa samalla kun painat toimintalajia. Toimintalaji vaihtuu kun peräkytkin vapautetaan.

**(NO) Norwegian**

**BRUKERMANUAL SIDERYTTER**  
**PÅ/V:** Tryk på siderytteren for å slå lykten PÅ/V. Når lykten er slått på, vil den returnere til siste brukte modus.

**ENDRE LYSSTYRKE:** Når lykten er på, trykk og hold inne siderytteren. Lykten vil starte på nåværende nivå og veksle mellom low, medium og high nivå. Når du holder tryk på siderytteren i 3 sekunder, vil lykten bytte mellom de to neste nivåene (Merk, moonlight og turbo er ikke med i denne menyen).

**MOONLIGHT:** Når lykten er av, trykk og hold siderytteren i mer enn ett sekund for å aktivere moonlight. Om det mer enn ett sekund er moonlight, vil et enkelt tryk på bytteren aktivere den.

**TURBO AV / PÅ:** Dobbelklikk på bytteren for å aktivere Turbo-modus. Dobbelklikk på bytteren for å gå tilbake til laveste strømsnivå. Hvis den tidligere brukte strømsnivå er høyere enn det som er valgt, vil lykten automatisk gå tilbake til det nivået som er valgt. Når lykten er slått på, vil den automatisk gå tilbake til det nivået som er valgt. Hvis den tidligere brukte strømsnivå er lavere enn moonlight, vil den automatisk gå tilbake til det nivået som er valgt.

**STROBE:** Hoppklikk raskt på siderytteren for å aktivere strobe. Avslutt ved å trykke eller holde inne siderytteren.

**KNAPPELÅS:** Når lykten er av, trykk og hold siderytteren (i ca 2 sekunder) for å aktivere knappelåsen. Lykten vil først aktivere moonlight for å sikre seg seg for å ikke aktivere knappelåsen (aktivering) når lykten er aktivert. Tryk på siderytteren i mindre enn ett sekund. Den røde indikator-lampen siderytteren vil slå seg på i to sekunder for å vise at knappelåsen er på. For å deaktivere knappelåsen, hold siderytteren inne i over ett sekund, til moonlight er aktivert igjen.

**BAK-BRYTER**  
Løsmønstret bak flere effektiviteter. Disse kan aktivere ved å enten trykke inn bunntrykkeren halvveis eller helt inn. Se under for respektive effektiviteter.

**TO FØRSKJELLIGE PROGRAMKONFIGURASJONER**  
**KONFIGURASJON 1 (FABRIKKNINSTILLING):** Trykk halvveis inn for medium, trykk hardt for Turbo. Om du drukkner inn på moonlight, vil Turbo ziten netn i de automatiske modusene.

**MOONLIGHT STAND:** Hold zischekkaaler lenger enn 1 sekund etter at moonlight er aktivert. Om du drukkner inn på zischekkaaler er Turbo ziten netn i de automatiske modusene.

**TURBO EN TERUG:** Dobbelklikk på zischekkaaler om Turbozitten i de schekkaaler. Dobbelklikk om du vil gå tilbake til den tidligere brukte strømsnivå. Hvis den tidligere brukte strømsnivå er høyere enn det som er valgt, vil lykten automatisk gå tilbake til det nivået som er valgt. Når lykten er slått på, vil den automatisk gå tilbake til det nivået som er valgt.

**VERGENDIELEN/ONTGRENDELEN:** Vergend die zischekkaaler over de zischekkaaler ingedrukt die activeren. (gouden in der vering stand in het behuigen HIGH of Medium is, dan keert de lamp terug naar de medium stand. Als de vering stand is, dan keert de lamp terug naar de moonlight stand. Als de moonlight stand is, dan keert de lamp terug naar de laagste lichtstand.)

**STROBOSCOOP:** Druk einmal soel achter elkaar op de zischekkaaler om de STROBOSCOOP te activeren. (druk einmal naar de hoed de zischekkaaler ingedrukt om deze stand uit te schakelen.)

**VERGENDIELEN/ONTGRENDELEN:** Vergend die zischekkaaler over de zischekkaaler ingedrukt die activeren. (gouden in der vering stand in het behuigen HIGH of Medium is, dan keert de lamp terug naar de medium stand. Als de vering stand is, dan keert de lamp terug naar de moonlight stand. Als de moonlight stand is, dan keert de lamp terug naar de laagste lichtstand.)

**MOONLIGHT STAND:** Hold zischekkaaler lenger enn 1 sekund etter at moonlight er aktivert. Om du drukkner inn på zischekkaaler er Turbo ziten netn i de automatiske modusene.

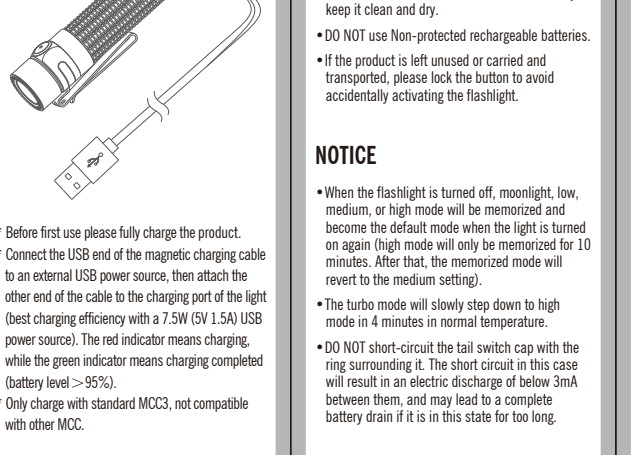
**TURBO EN TERUG:** Dobbelklikk på bytteren for å aktivere Turbo-modus. Dobbelklikk på bytteren for å gå tilbake til laveste strømsnivå. Hvis den tidligere brukte strømsnivå er høyere enn det som er valgt, vil lykten automatisk gå tilbake til det nivået som er valgt. Når lykten er slått på, vil den automatisk gå tilbake til det nivået som er valgt.

**STROBE:** Hoppklikk raskt på siderytteren for å aktivere strobe. Avslutt ved å trykke eller holde inne siderytteren.

**(SV) Swedish**

**ANVÄNDARINSTRUKTIONER SIDOKNAPP**  
**PÅ/V:** Klicka en gång på sidoknappen för att slå på lykten. När lykten är släppt, kommer den automatiskt gå tillbaka till den tidigare använda strömnivån. Om den tidigare använda strömnivån är högre än den som är vald, kommer lykten automatiskt gå tillbaka till den nivå som är vald. När lykten är släppt, kommer den automatiskt gå tillbaka till den nivå som är vald.

**STROBE:** Hoppklikk raskt på siderytteren för att aktivera strobe. Avslutt ved å trykke eller holde inne siderytteren.



Before first use please fully charge the product. Connect the USB end of the magnetic charging cable to an external USB power source, then attach the other end of the cable to the charging port of the flashlight. The red indicator means charging is in progress. The green indicator means charging is complete (battery level >95%). Only charge with standard MCCC, not compatible with other MCC.

When the flashlight is turned off, moonlight, low, medium, or high mode will be memorized and become the default mode when the light is turned on again. (high mode will only be memorized for 10 minutes). After that, the memorized mode will revert to the medium setting.

The turbo mode will slowly step down to high mode in 4 minutes in normal temperature. If the product is left unused or carried and transported, please lock the button to avoid accidentally activating the flashlight.

When the flashlight is turned off, moonlight, low, medium, or high mode will be memorized and become the default mode when the light is turned on again. (high mode will only be memorized for 10 minutes). After that, the memorized mode will revert to the medium setting.

The turbo mode will slowly step down to high mode in 4 minutes in normal temperature. If the product is left unused or carried and transported, please lock the button to avoid accidentally activating the flashlight.

When the flashlight is turned off, moonlight, low, medium, or high mode will be memorized and become the default mode when the light is turned on again. (high mode will only be memorized for 10 minutes). After that, the memorized mode will revert to the medium setting.

The turbo mode will slowly step down to high mode in 4 minutes in normal temperature. If the product is left unused or carried and transported, please lock the button to avoid accidentally activating the flashlight.

When the flashlight is turned off, moonlight, low, medium, or high mode will be memorized and become the default mode when the light is turned on again. (high mode will only be memorized for 10 minutes). After that, the memorized mode will revert to the medium setting.

The turbo mode will slowly step down to high mode in 4 minutes in normal temperature. If the product is left unused or carried and transported, please lock the button to avoid accidentally activating the flashlight.

When the flashlight is turned off, moonlight, low, medium, or high mode will be memorized and become the default mode when the light is turned on again. (high mode will only be memorized for 10 minutes). After that, the memorized mode will revert to the medium setting.

The turbo mode will slowly step down to high mode in 4 minutes in normal temperature. If the product is left unused or carried and transported, please lock the button to avoid accidentally activating the flashlight.

When the flashlight is turned off, moonlight, low, medium, or high mode will be memorized and become the default mode when the light is turned on again. (high mode will only be memorized for 10 minutes). After that, the memorized mode will revert to the medium setting.

The turbo mode will slowly step down to high mode in 4 minutes in normal temperature. If the product is left unused or carried and transported, please lock the button to avoid accidentally activating the flashlight.

When the flashlight is turned off, moonlight, low, medium, or high mode will be memorized and become the default mode when the light is turned on again. (high mode will only be memorized for 10 minutes). After that, the memorized mode will revert to the medium setting.

The turbo mode will slowly step down to high mode in 4 minutes in normal temperature. If the product is left unused or carried and transported, please lock the button to avoid accidentally activating the flashlight.

When the flashlight is turned off, moonlight, low, medium, or high mode will be memorized and become the default mode when the light is turned on again. (high mode will only be memorized for 10 minutes). After that, the memorized mode will revert to the medium setting.

The turbo mode will slowly step down to high mode in 4 minutes in normal temperature. If the product is left unused or carried and transported, please lock the button to avoid accidentally activating the flashlight.

When the flashlight is turned off, moonlight, low, medium, or high mode will be memorized and become the default mode when the light is turned on again. (high mode will only be memorized for 10 minutes). After that, the memorized mode will revert to the medium setting.

# CONTENTS

(EN) English	01
(CHS) 简体中文	02
(F) Finnish	03
(NO) Norwegian	04
(SV) Swedish	05
(NED) Nederland	07
(PL) Polska	08
(DE) Deutsch	09
(HU) Magyarorszá	11
(RU) Русский	13
(ES) Español	14
(RO) Romanes	16
(UA) Ukrainian	17
(JP) 日本語	19
(TH) ไทย	20
(FR) Français	21
(BG) Български	23
(IT) Italia	24
(SK) Slovenský jazyk	26

01 02 03 13 14 16 17 19 20 21 23 24 26

When the flashlight is turned off, moonlight, low, medium, or high mode will be memorized and become the default mode when the light is turned on again. (high mode will only be memorized for 10 minutes). After that, the memorized mode will revert to the medium setting.

The turbo mode will slowly step down to high mode in 4 minutes in normal temperature. If the product is left unused or carried and transported, please lock the button to avoid accidentally activating the flashlight.

When the flashlight is turned off, moonlight, low, medium, or high mode will be memorized and become the default mode when the light is turned on again. (high mode will only be memorized for 10 minutes). After that, the memorized mode will revert to the medium setting.

The turbo mode will slowly step down to high mode in 4 minutes in normal temperature. If the product is left unused or carried and transported, please lock the button to avoid accidentally activating the flashlight.

When the flashlight is turned off, moonlight, low, medium, or high mode will be memorized and become the default mode when the light is turned on again. (high mode will only be memorized for 10 minutes). After that, the memorized mode will revert to the medium setting.

The turbo mode will slowly step down to high mode in 4 minutes in normal temperature. If the product is left unused or carried and transported, please lock the button to avoid accidentally activating the flashlight.

When the flashlight is turned off, moonlight, low, medium, or high mode will be memorized and become the default mode when the light is turned on again. (high mode will only be memorized for 10 minutes). After that, the memorized mode will revert to the medium setting.

The turbo mode will slowly step down to high mode in 4 minutes in normal temperature. If the product is left unused or carried and transported, please lock the button to avoid accidentally activating the flashlight.

When the flashlight is turned off, moonlight, low, medium, or high mode will be memorized and become the default mode when the light is turned on again. (high mode will only be memorized for 10 minutes). After that, the memorized mode will revert to the medium setting.

The turbo mode will slowly step down to high mode in 4 minutes in normal temperature. If the product is left unused or carried and transported, please lock the button to avoid accidentally activating the flashlight.

When the flashlight is turned off, moonlight, low, medium, or high mode will be memorized and become the default mode when the light is turned on again. (high mode will only be memorized for 10 minutes). After that, the memorized mode will revert to the medium setting.

The turbo mode will slowly step down to high mode in 4 minutes in normal temperature. If the product is left unused or carried and transported, please lock the button to avoid accidentally activating the flashlight.

When the flashlight is turned off, moonlight, low, medium, or high mode will be memorized and become the default mode when the light is turned on again. (high mode will only be memorized for 10 minutes). After that, the memorized mode will revert to the medium setting.

The turbo mode will slowly step down to high mode in 4 minutes in normal temperature. If the product is left unused or carried and transported, please lock the button to avoid accidentally activating the flashlight.

When the flashlight is turned off, moonlight, low, medium, or high mode will be memorized and become the default mode when the light is turned on again. (high mode will only be memorized for 10 minutes). After that, the memorized mode will revert to the medium setting.

The turbo mode will slowly step down to high mode in 4 minutes in normal temperature. If the product is left unused or carried and transported, please lock the button to avoid accidentally activating the flashlight.

When the flashlight is turned off, moonlight, low, medium, or high mode will be memorized and become the default mode when the light is turned on again. (high mode will only be memorized for 10 minutes). After that, the memorized mode will revert to the medium setting.

# HOW TO OPERATE

**ON/OFF:** Single click the side switch to turn the light ON/OFF. When the light is turned on again, it will return to the previously memorized mode.

**CHANGE BRIGHTNESS LEVEL:** When the flashlight is on, press and hold the side switch and it will, starting from the present brightness level, automatically cycle through Low, Medium, and High mode. If the mode is selected when the side switch has been released, Please note: moonlight and turbo are not in the automatic cycle.

**MOONLIGHT MODE:** When the flashlight is off, press and hold the side switch for one second to access the moonlight mode. If the memorized mode is moonlight, simply click the switch to turn the flashlight on.

**TURBO MODE:** First double click on side switch to enter turbo mode, double click again to return. If memory mode were High of Medium, the output is Medium. If memory mode were Low of Moonlight, the output is moonlight.

**STROBE:** Quickly triple click side switch to enter the strobe mode. To quit this mode, single click or press and hold the side switch.

**LOCKOUT/UNLOCK:** When the flashlight is off, press and hold the side switch (for about 2 seconds) to access the button locked mode. (The flashlight will enter the moonlight mode first and will then switch off to signal the lockout mode.) Under the lockout mode, press and hold the side switch for less than one second. The red indicator below the side switch will be on for two seconds to signal that the light is locked out. To unlock it, click the side switch (or strobe) until the lockout mode is off.

**TAIL SWITCH**  
The flashlight provides different output settings by pressing gently or hard on the tail switch (please refer to the following program configurations).

**TWO DIFFERENT PROGRAM CONFIGURATIONS CONFIGURATION 1 (FACTORY DEFAULT SETTING):** Half press for Medium, hard press for Turbo, Single press the tail switch (press and release quickly) to turn the flashlight on or off.

**CONFIGURATION 2:** Half press for Turbo, hard press for Strobo, release switch to turn the flashlight off. SWITCH BETWEEN DIFFERENT PROGRAM CONFIGURATIONS: Switch between configuration 1 and configuration 2 by pressing hard then holding tail switch and single press on side switch. When the same time, when you release the switch, the Configuration will be selected.

**CHANGE BRIGHTNESS LEVEL:** When the flashlight is on, press and hold the side switch and it will, starting from the present brightness level, automatically cycle through Low, Medium, and High mode. If the mode is selected when the side switch has been released, Please note: moonlight and turbo are not in the automatic cycle.

**MOONLIGHT MODE:** When the flashlight is off, press and hold the side switch for one second to access the moonlight mode. If the memorized mode is moonlight, simply click the switch to turn the flashlight on.

**TURBO MODE:** First double click on side switch to enter turbo mode, double click again to return. If memory mode were High of Medium, the output is Medium. If memory mode were Low of Moonlight, the output is moonlight.

**STROBE:** Quickly triple click side switch to enter the strobe mode. To quit this mode, single click or press and hold the side switch.

**LOCKOUT/UNLOCK:** When the flashlight is off, press and hold the side switch (for about 2 seconds) to access the button locked mode. (The flashlight will enter the moonlight mode first and will then switch off to signal the lockout mode.) Under the lockout mode, press and hold the side switch for less than one second. The red indicator below the side switch will be on for two seconds to signal that the light is locked out. To unlock it, click the side switch (or strobe) until the lockout mode is off.

**TAIL SWITCH**  
The flashlight provides different output settings by pressing gently or hard on the tail switch (please refer to the following program configurations).

**TWO DIFFERENT PROGRAM CONFIGURATIONS CONFIGURATION 1 (FACTORY DEFAULT SETTING):** Half press for Medium, hard press for Turbo, Single press the tail switch (press and release quickly) to turn the flashlight on or off.

**CONFIGURATION 2:** Half press for Turbo, hard press for Strobo, release switch to turn the flashlight off. SWITCH BETWEEN DIFFERENT PROGRAM CONFIGURATIONS: Switch between configuration 1 and configuration 2 by pressing hard then holding tail switch and single press on side switch. When the same time, when you release the switch, the Configuration will be selected.

**CHANGE BRIGHTNESS LEVEL:** When the flashlight is on, press and hold the side switch and it will, starting from the present brightness level, automatically cycle through Low, Medium, and High mode. If the mode is selected when the side switch has been released, Please note: moonlight and turbo are not in the automatic cycle.

**MOONLIGHT MODE:** When the flashlight is off, press and hold the side switch for one second to access the moonlight mode. If the memorized mode is moonlight, simply click the switch to turn the flashlight on.

**TURBO MODE:** First double click on side switch to enter turbo mode, double click again to return. If memory mode were High of Medium, the output is Medium. If memory mode were Low of Moonlight, the output is moonlight.

**STROBE:** Quickly triple click side switch to enter the strobe mode. To quit this mode, single click or press and hold the side switch.

**LOCKOUT/UNLOCK:** When the flashlight is off, press and hold the side switch (for about 2 seconds) to access the button locked mode. (The flashlight will enter the moonlight mode first and will then switch off to signal the lockout mode.) Under the lockout mode, press and hold the side switch for less than one second. The red indicator below the side switch will be on for two seconds to signal that the light is locked out. To unlock it, click the side switch (or strobe) until the lockout mode is off.

**TAIL SWITCH**  
The flashlight provides different output settings by pressing gently or hard on the tail switch (please refer to the following program configurations).

**TWO DIFFERENT PROGRAM CONFIGURATIONS CONFIGURATION 1 (FACTORY DEFAULT SETTING):** Half press for Medium, hard press for Turbo, Single press the tail switch (press and release quickly) to turn the flashlight on or off.

**CONFIGURATION 2:** Half press for Turbo, hard press for Strobo, release switch to turn the flashlight off. SWITCH BETWEEN DIFFERENT PROGRAM CONFIGURATIONS: Switch between configuration 1 and configuration 2 by pressing hard then holding tail switch and single press on side switch. When the same time, when you release the switch, the Configuration will be selected.

**CHANGE BRIGHTNESS LEVEL:** When the flashlight is on, press and hold the side switch and it will, starting from the present brightness level, automatically cycle through Low, Medium, and High mode. If the mode is selected when the side switch has been released, Please note: moonlight and turbo are not in the automatic cycle.

**MOONLIGHT MODE:** When the flashlight is off, press and hold the side switch for one second to access the moonlight mode. If the memorized mode is moonlight, simply click the switch to turn the flashlight on.

**TURBO MODE:** First double click on side switch to enter turbo mode, double click again to return. If memory mode were High of Medium, the output is Medium. If memory mode were Low of Moonlight, the output is moonlight.

**STROBE:** Quickly triple click side switch to enter the strobe mode. To quit this mode, single click or press and hold the side switch.

**LOCKOUT/UNLOCK:** When the flashlight is off, press and hold the side switch (for about 2 seconds) to access the button locked mode. (The flashlight will enter the moonlight mode first and will then switch off to signal the lockout mode.) Under the lockout mode, press and hold the side switch for less than one second. The red indicator below the side switch will be on for two seconds to signal that the light is locked out. To unlock it, click the side switch (or strobe) until the lockout mode is off.

# OPERATION

**ON/OFF:** Single click the side switch to turn the light ON/OFF. When the light is turned on again, it will return to the previously memorized mode.

**CHANGE BRIGHTNESS LEVEL:** When the flashlight is on, press and hold the side switch and it will, starting from the present brightness level, automatically cycle through Low, Medium, and High mode. If the mode is selected when the side switch has been released, Please note: moonlight and turbo are not in the automatic cycle.

**MOONLIGHT MODE:** When the flashlight is off, press and hold the side switch for one second to access the moonlight mode. If the memorized mode is moonlight, simply click the switch to turn the flashlight on.

**TURBO MODE:** First double click on side switch to enter turbo mode, double click again to return. If memory mode were High of Medium, the output is Medium. If memory mode were Low of Moonlight, the output is moonlight.

**STROBE:** Quickly triple click side switch to enter the strobe mode. To quit this mode, single click or press and hold the side switch.

**LOCKOUT/UNLOCK:** When the flashlight is off, press and hold the side switch (for about 2 seconds) to access the button locked mode. (The flashlight will enter the moonlight mode first and will then switch off to signal the lockout mode.) Under the lockout mode, press and hold the side switch for less than one second. The red indicator below the side switch will be on for two seconds to signal that the light is locked out. To unlock it, click the side switch (or strobe) until the lockout mode is off.

**TAIL SWITCH**  
The flashlight provides different output settings by pressing gently or hard on the tail switch (please refer to the following program configurations).

**TWO DIFFERENT PROGRAM CONFIGURATIONS CONFIGURATION 1 (FACTORY DEFAULT SETTING):** Half press for Medium, hard press for Turbo, Single press the tail switch (press and release quickly) to turn the flashlight on or off.

**CONFIGURATION 2:** Half press for Turbo, hard press for Strobo, release switch to turn the flashlight off. SWITCH BETWEEN DIFFERENT PROGRAM CONFIGURATIONS: Switch between configuration 1 and configuration 2 by pressing hard then holding tail switch and single press on side switch. When the same time, when you release the switch, the Configuration will be selected.

**CHANGE BRIGHTNESS LEVEL:** When the flashlight is on, press and hold the side switch and it will, starting from the present brightness level, automatically cycle through Low, Medium, and High mode. If the mode is selected when the side switch has been released, Please note: moonlight and turbo are not in the automatic cycle.

**MOONLIGHT MODE:** When the flashlight is off, press and hold the side switch for one second to access the moonlight mode. If the memorized mode is moonlight, simply click the switch to turn the flashlight on.

**TURBO MODE:** First double click on side switch to enter turbo mode, double click again to return. If memory mode were High of Medium, the output is Medium. If memory mode were Low of Moonlight, the output is moonlight.

**STROBE:** Quickly triple click side switch to enter the strobe mode. To quit this mode, single click or press and hold the side switch.

**LOCKOUT/UNLOCK:** When the flashlight is off, press and hold the side switch (for about 2 seconds) to access the button locked mode. (The flashlight will enter the moonlight mode first and will then switch off to signal the lockout mode.) Under the lockout mode, press and hold the side switch for less than one second. The red indicator below the side switch will be on for two seconds to signal that the light is locked out. To unlock it, click the side switch (or strobe) until the lockout mode is off.

**TAIL SWITCH**  
The flashlight provides different output settings by pressing gently or hard on the tail switch (please refer to the following program configurations).

**TWO DIFFERENT PROGRAM CONFIGURATIONS CONFIGURATION 1 (FACTORY DEFAULT SETTING):** Half press for Medium, hard press for Turbo, Single press the tail switch (press and release quickly) to turn the flashlight on or off.

**CONFIGURATION 2:** Half press for Turbo, hard press for Strobo, release switch to turn the flashlight off. SWITCH BETWEEN DIFFERENT PROGRAM CONFIGURATIONS: Switch between configuration 1 and configuration 2 by pressing hard then holding tail switch and single press on side switch. When the same time, when you release the switch, the Configuration will be selected.

**CHANGE BRIGHTNESS LEVEL:** When the flashlight is on, press and hold the side switch and it will, starting from the present brightness level, automatically cycle through Low, Medium, and High mode. If the mode is selected when the side switch has been released, Please note: moonlight and turbo are not in the automatic cycle.

**MOONLIGHT MODE:** When the flashlight is off, press and hold the side switch for one second to access the moonlight mode. If the memorized mode is moonlight, simply click the switch to turn the flashlight on.

**TURBO MODE:** First double click on side switch to enter turbo mode, double click again to return. If memory mode were High of Medium, the output is Medium. If memory mode were Low of Moonlight, the output is moonlight.

**STROBE:** Quickly triple click side switch to enter the strobe mode. To quit this mode, single click or press and hold the side switch.

**LOCKOUT/UNLOCK:** When the flashlight is off, press and hold the side switch (for about 2 seconds) to access the button locked mode. (The flashlight will enter the moonlight mode first and will then switch off to signal the lockout mode.) Under the lockout mode, press and hold the side switch for less than one second. The red indicator below the side switch will be on for two seconds to signal that the light is locked out. To unlock it, click the side switch (or strobe) until the lockout mode is off.

**TAIL SWITCH**  
The flashlight provides different output settings by pressing gently or hard on the tail switch (please refer to the following program configurations).

**TWO DIFFERENT PROGRAM CONFIGURATIONS CONFIGURATION 1 (FACTORY DEFAULT SETTING):** Half press for Medium, hard press for Turbo, Single press the tail switch (press and release quickly) to turn the flashlight on or off.

**CONFIGURATION 2:** Half press for Turbo, hard press for Strobo, release switch to turn the flashlight off. SWITCH BETWEEN DIFFERENT PROGRAM CONFIGURATIONS: Switch between configuration 1 and configuration 2 by pressing hard then holding tail switch and single press on side switch. When the same time, when you release the switch, the Configuration will be selected.

**CHANGE BRIGHTNESS LEVEL:** When the flashlight is on, press and hold the side switch and it will, starting from the present brightness level, automatically cycle through Low, Medium, and High mode. If the mode is selected when the side switch has been released, Please note: moonlight and turbo are not in the automatic cycle.

**MOONLIGHT MODE:** When the flashlight is off, press and hold the side switch for one second to access the moonlight mode. If the memorized mode is moonlight, simply click the switch to turn the flashlight on.

**TURBO MODE:** First double click on side switch to enter turbo mode, double click again to return. If memory mode were High of Medium, the output is Medium. If memory mode were Low of Moonlight, the output is moonlight.

**STROBE:** Quickly triple click side switch to enter the strobe mode. To quit this mode, single click or press and hold the side switch.

**LOCKOUT/UNLOCK:** When the flashlight is off, press and hold the side switch (for about 2 seconds) to access the button locked mode. (The flashlight will enter the moonlight mode first and will then switch off to signal the lockout mode.) Under the lockout mode, press and hold the side switch for less than one second. The red indicator below the side switch will be on for two seconds to signal that the light is locked out. To unlock it, click the side switch (or strobe) until the lockout mode is off.

# OPERATION

**ON/OFF:** Single click the side switch to turn the light ON/OFF. When the light is turned on again, it will return to the previously memorized mode.